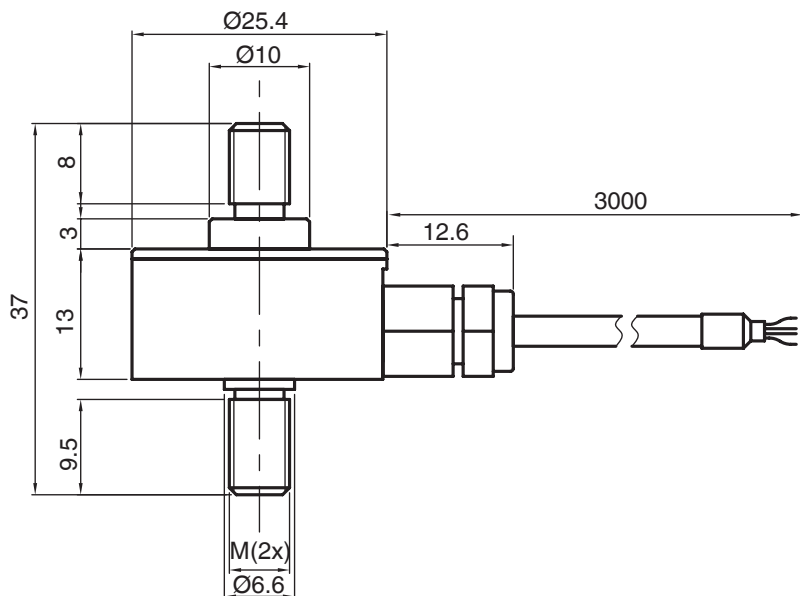


 尺寸及量程 / Size and Capacity


| CAP (N) | SIZE(mm) | M | 材料 / Material | 重量 / Weight |
|------------------------|----------|----|-----------------------|-------------|
| 50/100/150/200/300/500 | | M5 | 不锈钢 / Stainless steel | 0.1kg |
| 600/1000 | | M6 | | |


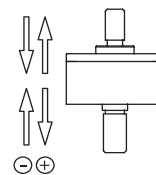
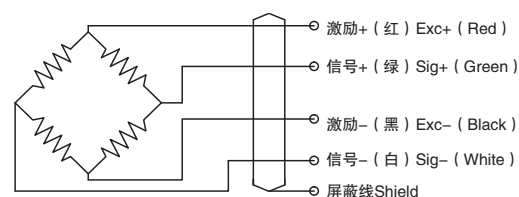
 技术参数 / Technical Parameters

| 参数 | Specifications | 技术指标/Technique |
|---------|-------------------------|---|
| 输出灵敏度 | Rated output | 2.0±0.2mV/V |
| 零点输出 | Zero balance | ±2% F.S. |
| 非线性 | Non-linearity | ±0.5% F.S. |
| 滞后 | Hysteresis | ±0.5% F.S. |
| 重复性 | Repeatability | ±0.25% F.S. |
| 灵敏度温度漂移 | Temp. effect on output | ±0.2% F.S. / 10°C |
| 零点温度漂移 | Temp. effect on zero | ±0.2% F.S. / 10°C |
| 输入电阻 | Input impedance | 700 ± 30 Ω |
| 输出电阻 | Output impedance | 700 ± 5 Ω |
| 绝缘电阻 | Insulation | ≥5000MΩ |
| 激励电压 | Recommended excitation | 5...10VDC |
| 最大激励电压 | Maximum excitation | 15VDC |
| 温度补偿范围 | Compensated temp. range | -10 ... 40 °C |
| 工作温度范围 | Operation temp. range | -20 ... 80 °C |
| 安全超载 | Safe overload | 120% F.S. |
| 极限超载 | Ultimate overload | 200% F.S. |
| 电缆线尺寸 | Cable size | Ø3×3000 mm |
| 防护等级 | Protection class | IP65 |
| 连接方式 | Cable color code | Input: Red(+) Black(-); Output: Green(+) White(-); 输入: 红 (+) 黑 (-); 输出: 绿 (+) 白 (-); |


 特点和用途 / Features & Applications

- 拉压双向
- 形变量小, IP65
- 不锈钢材料
- 主要用于试验机、小型焦煤、料位计称, 微型拉压力测力设备, 如机械手, 贴膜机、铆钉机、焊接机、插拔力测试仪

- Tension and compression application
- Low profile, IP65 protection
- Made of stainless steel
- Mainly used for testing machine, miniature tension and pressure test equipment, such as lamination machine, riveting machine, welding machine

 受力方式 / Load Direction

 接线图 / Schematic Wiring Diagram


注: 屏蔽线不与弹性体相连。

Note: Cable shield is not connected to element.